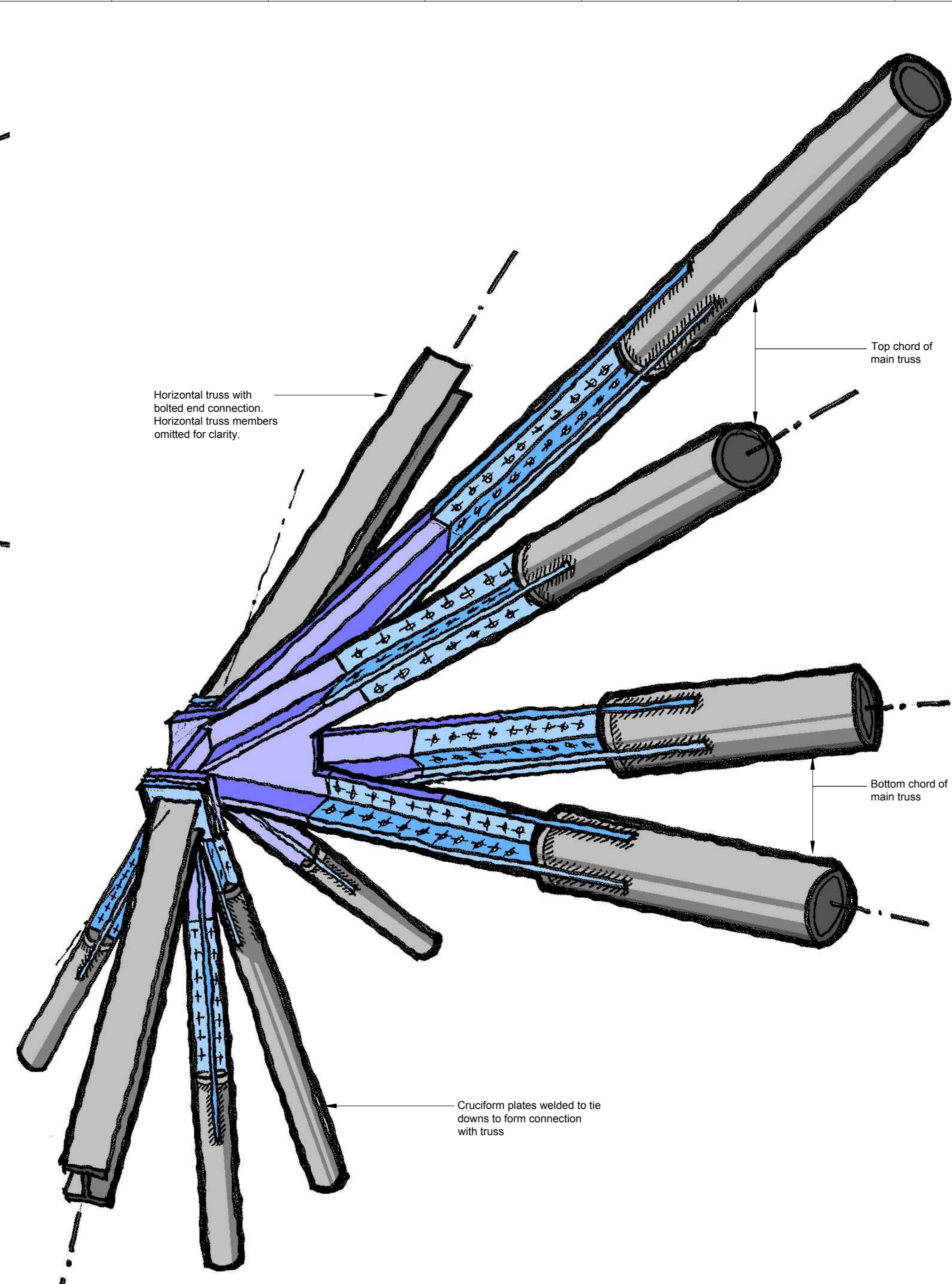
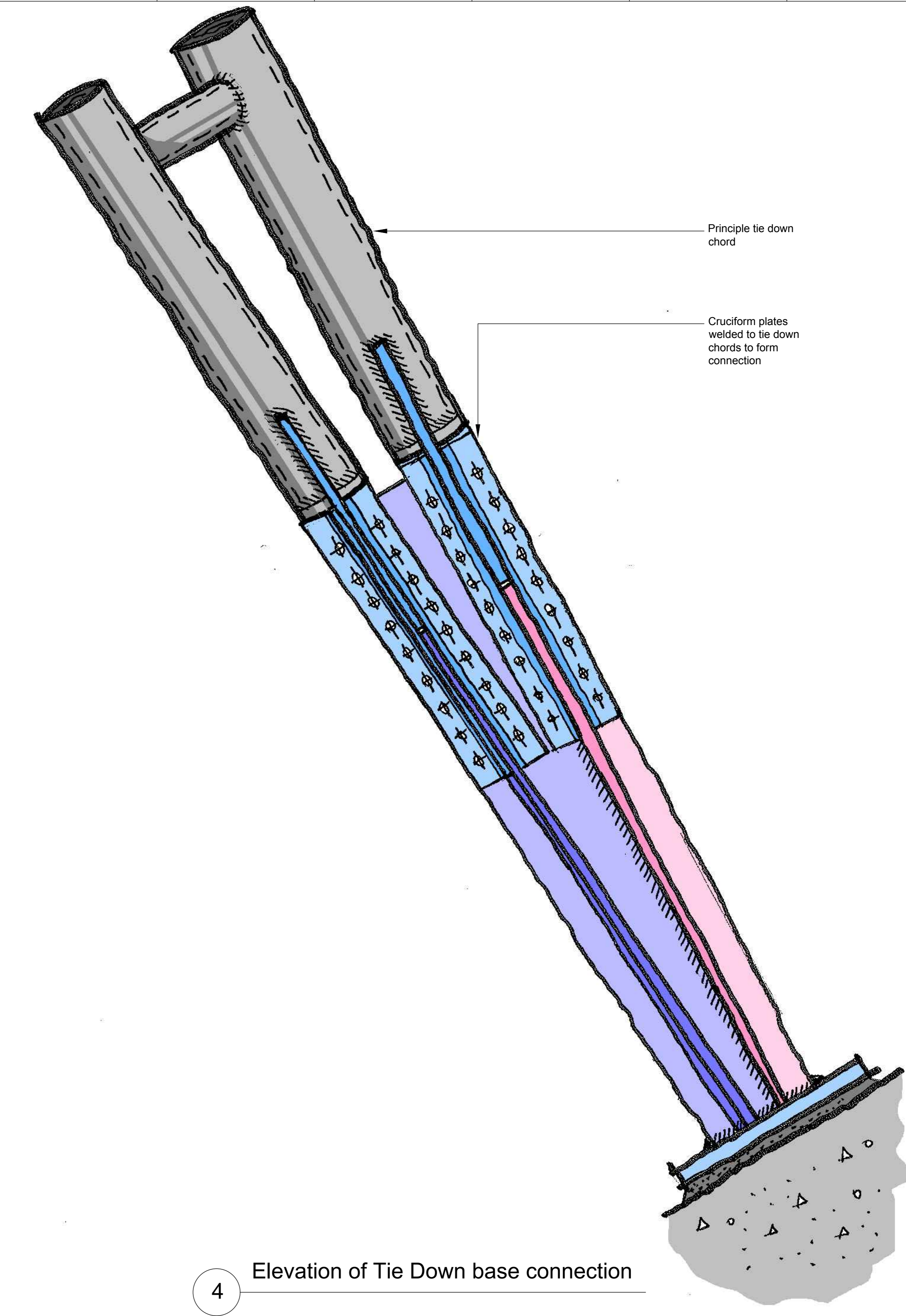


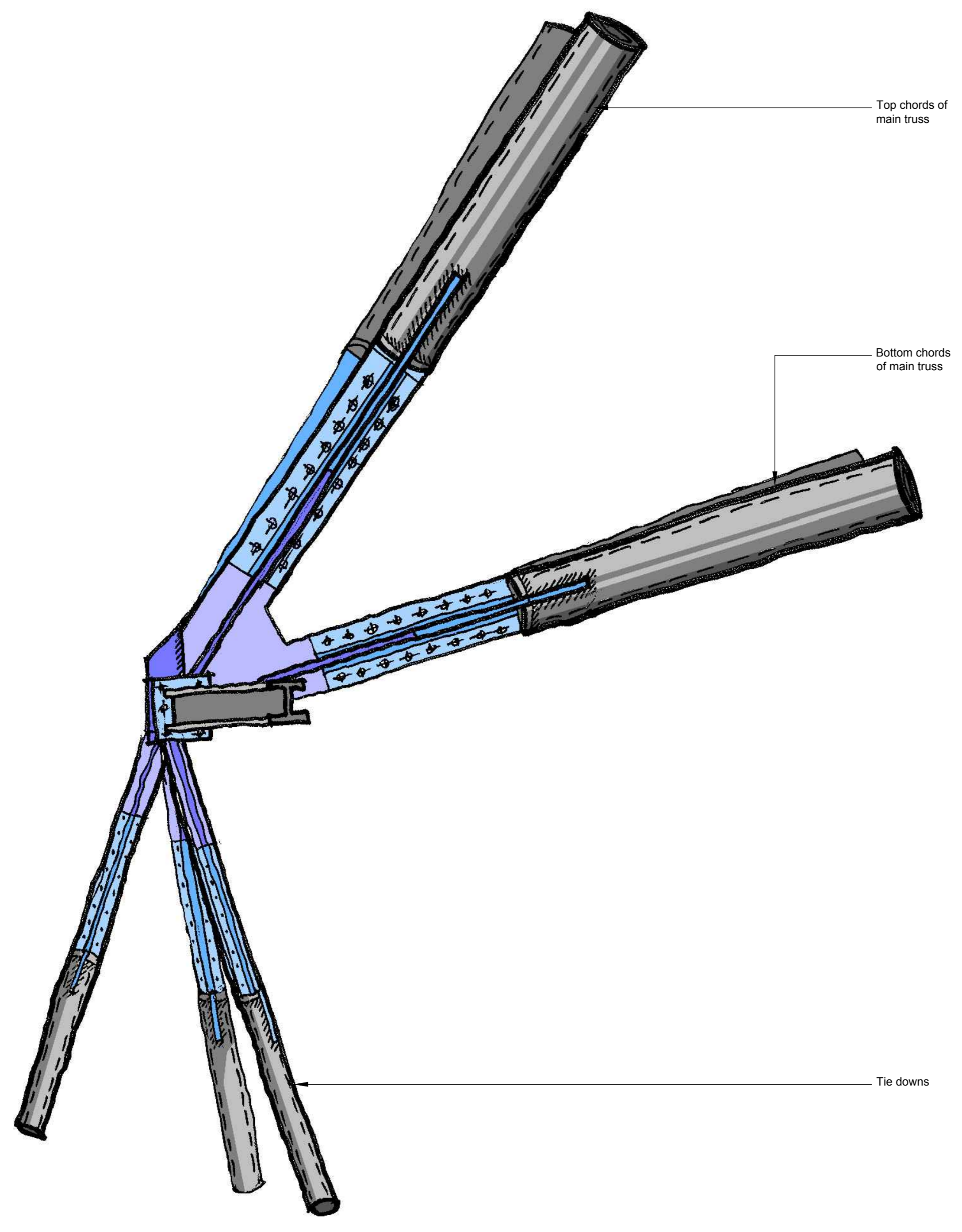
1 Plan View of 'Backspan Truss' and Tie Down connection



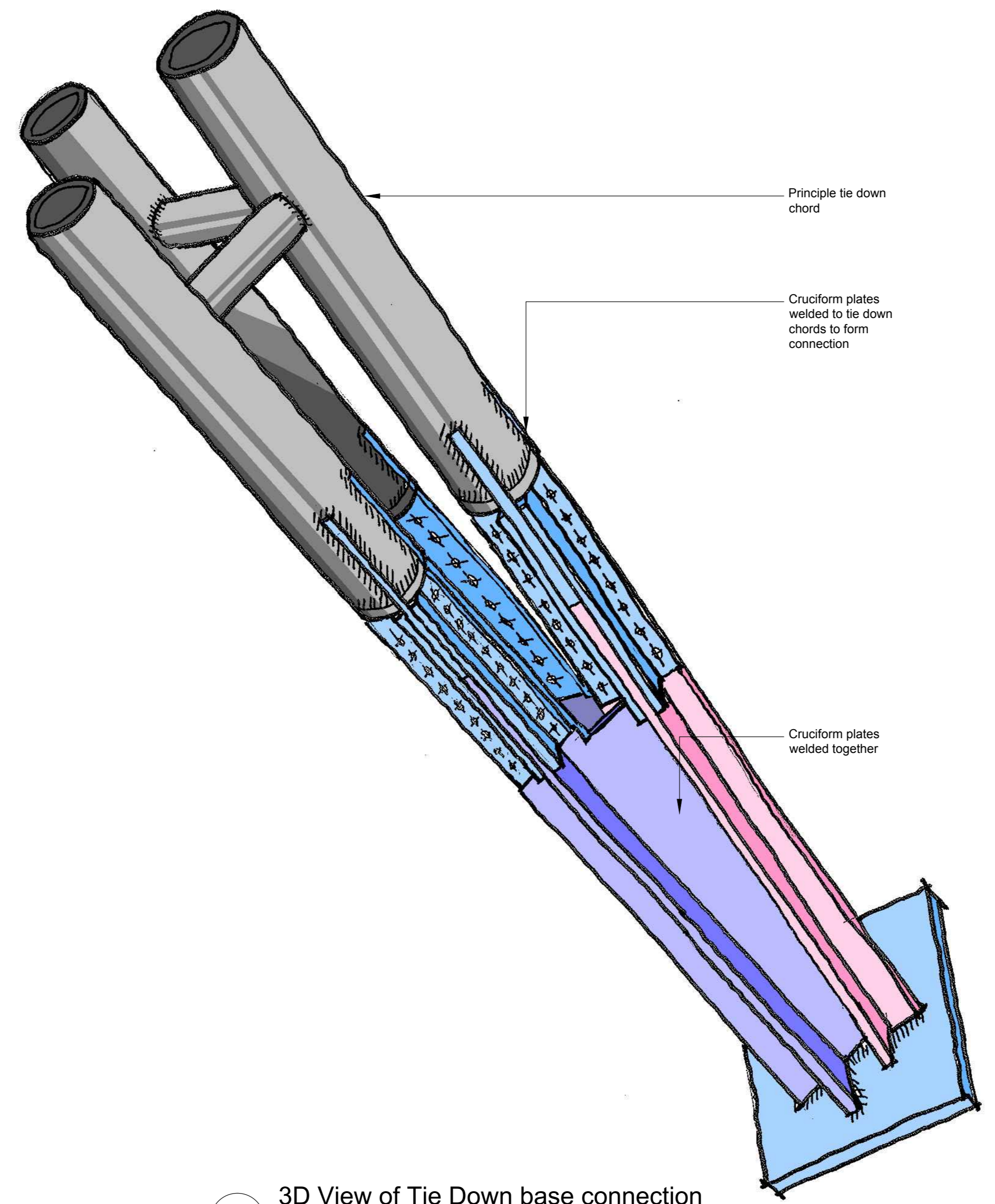
3 3D View of 'Backspan Truss' and Tie Down connection



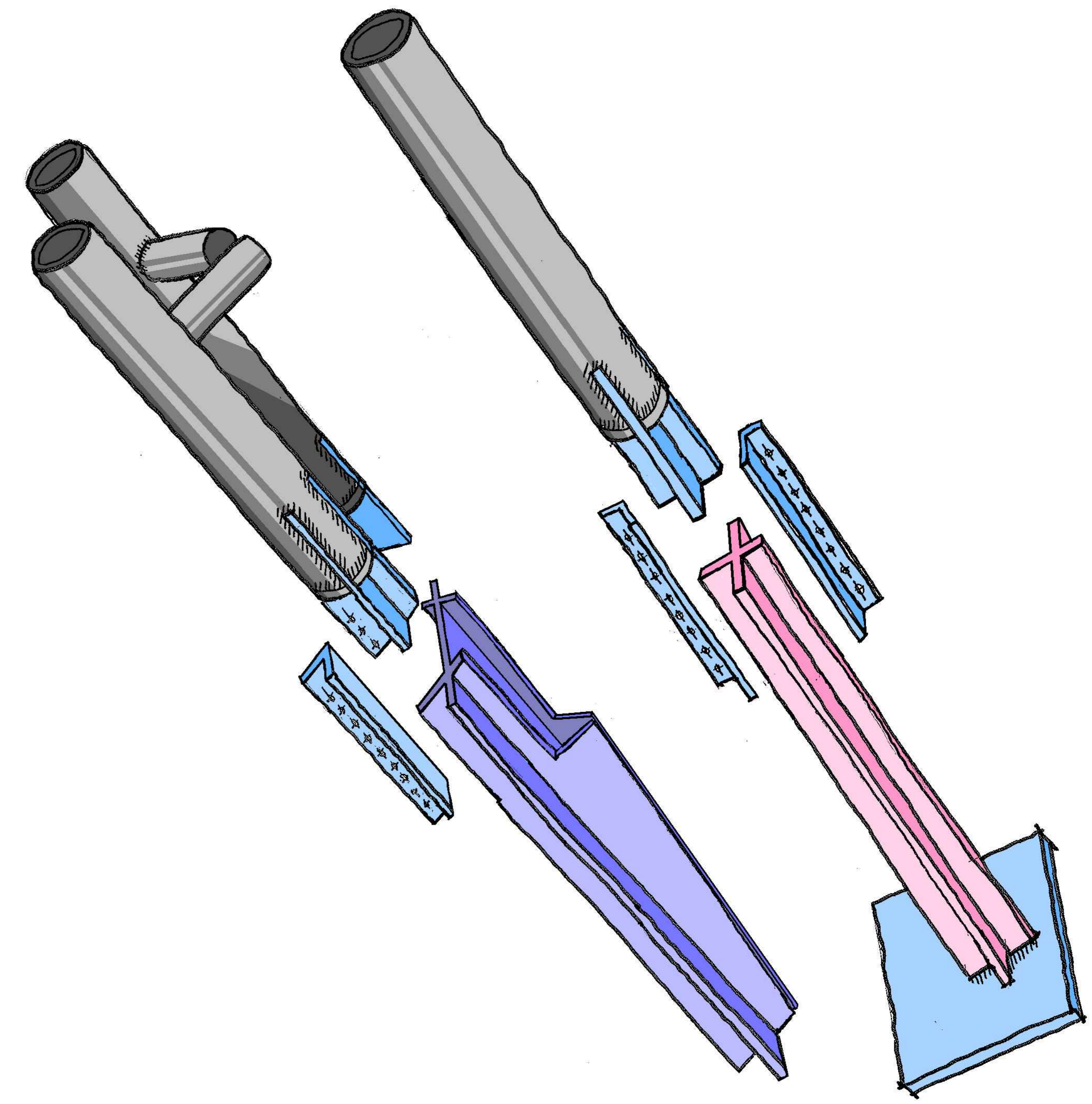
4 Elevation of Tie Down base connection



2 Elevation of 'Backspan Truss' and Tie Down connection

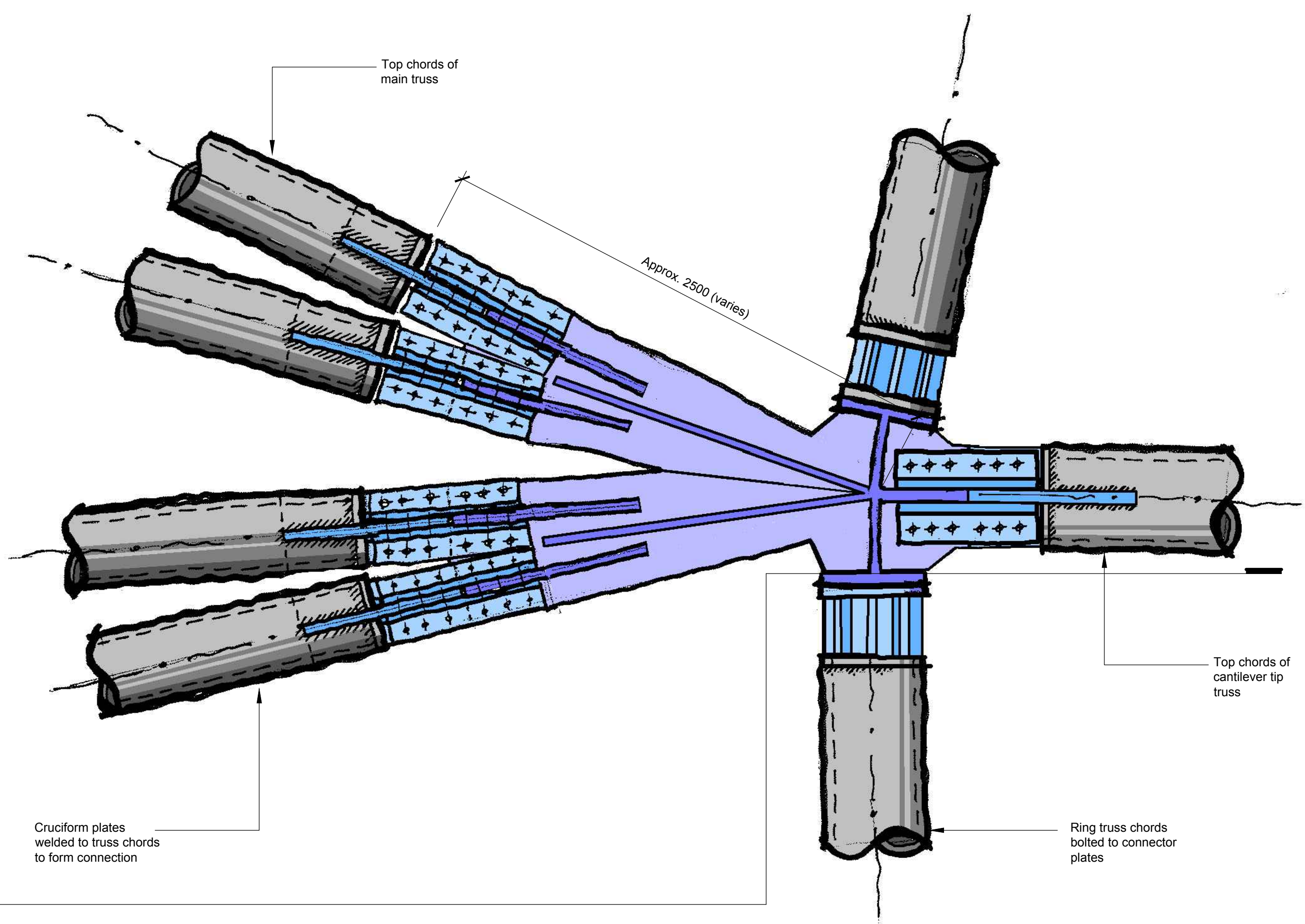


5 3D View of Tie Down base connection

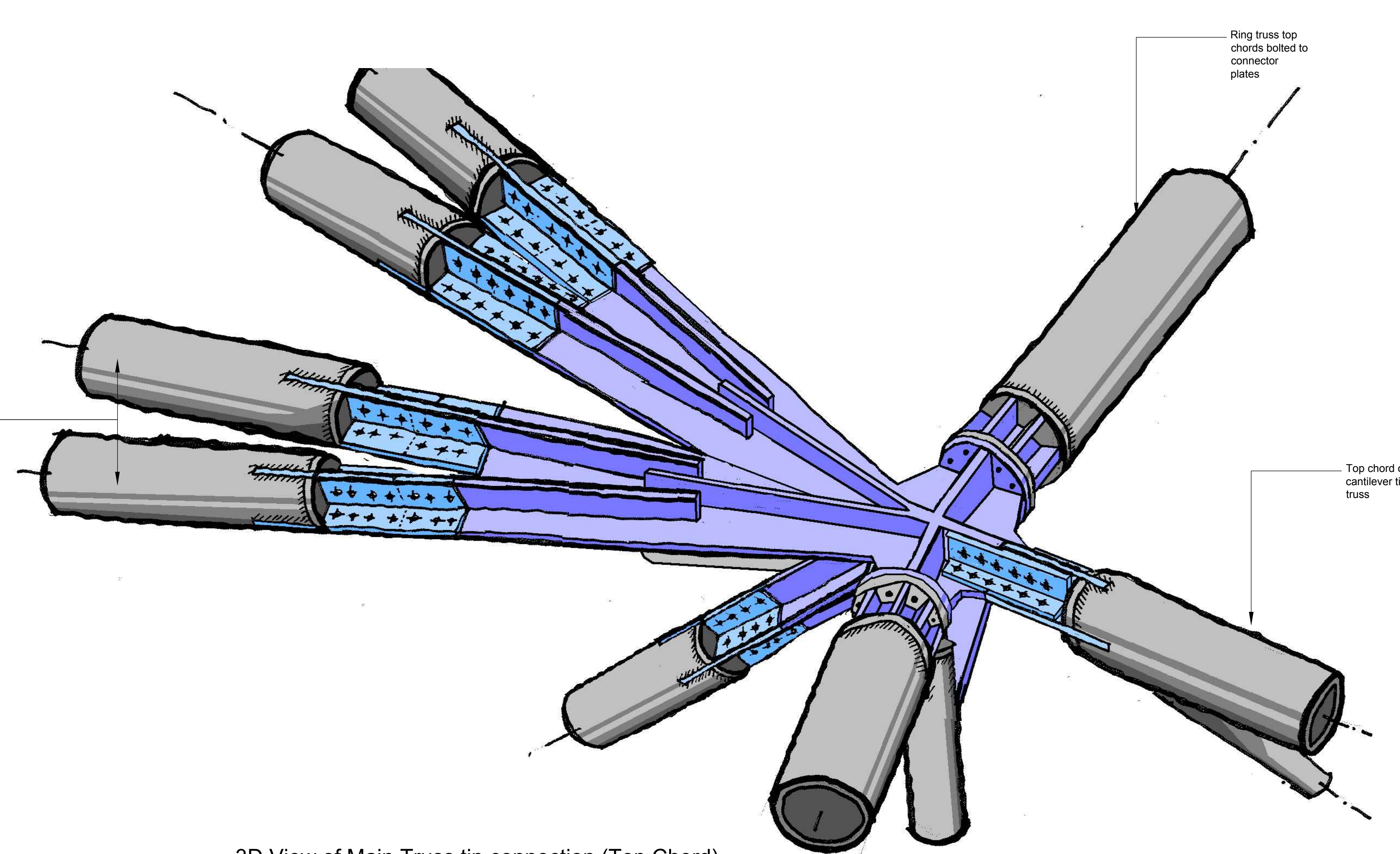


6 Exploded 3D View of Tie Down base connection

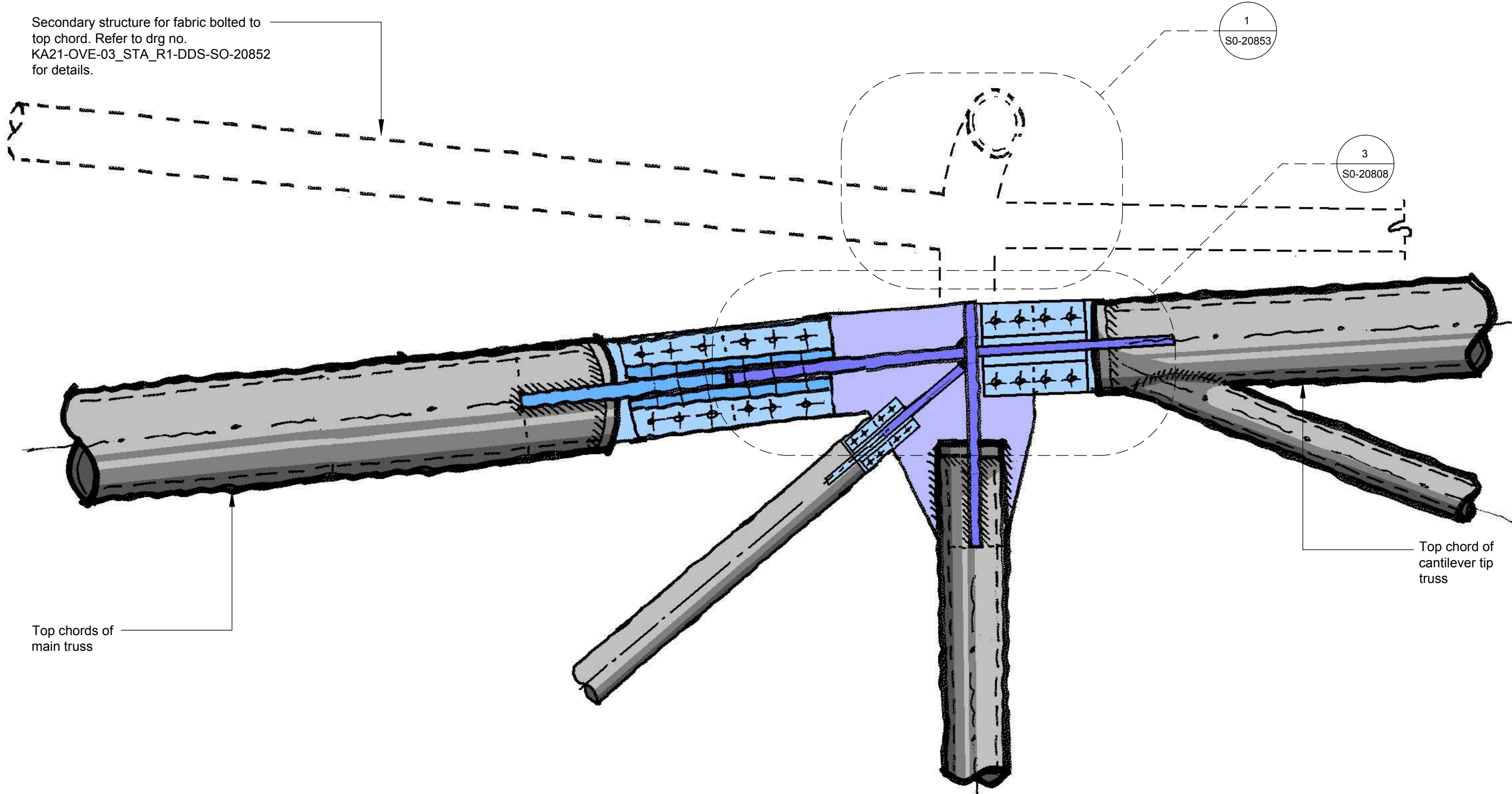




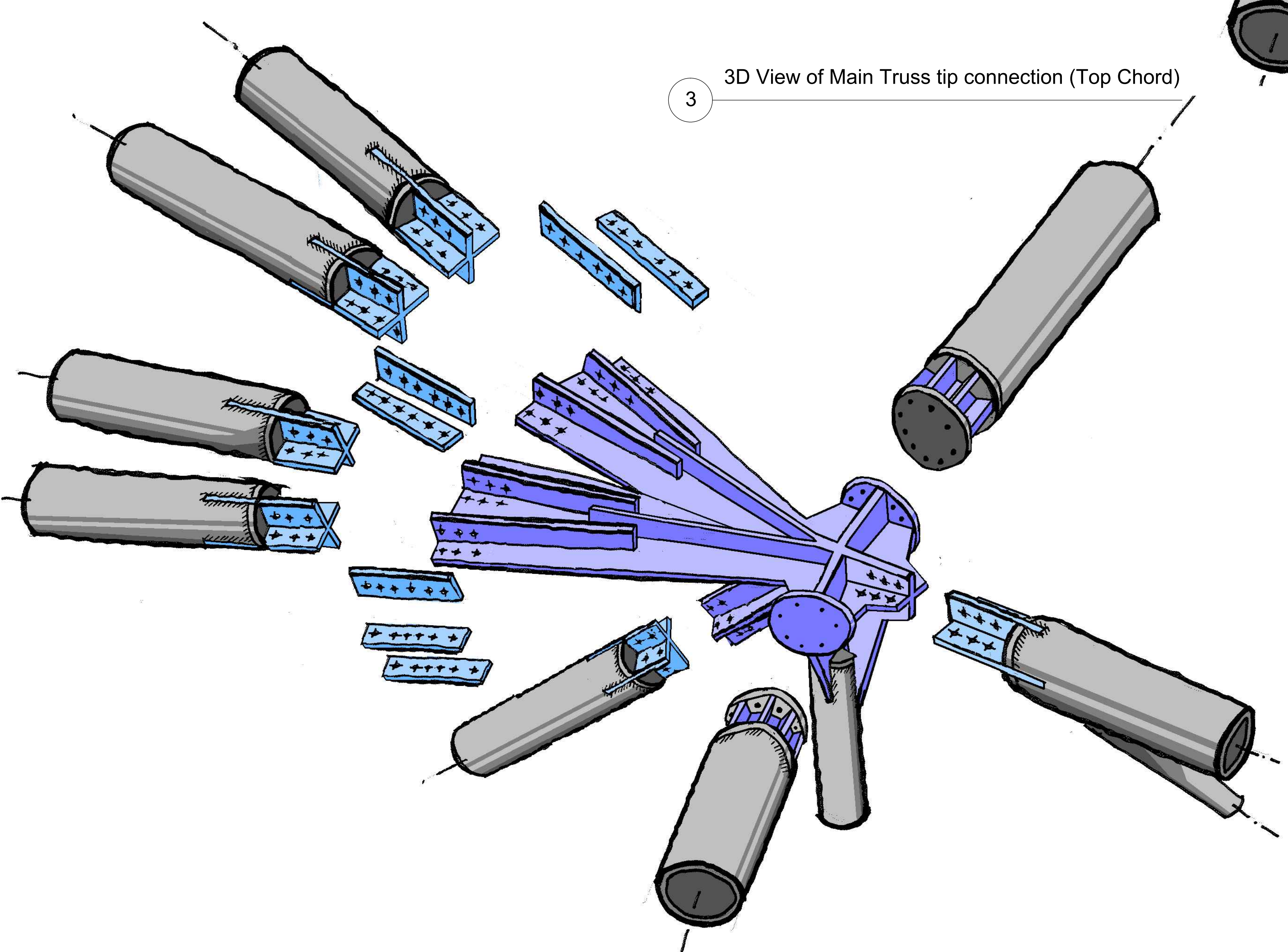
1 Plan View of Main Truss tip connection (Top Chord)



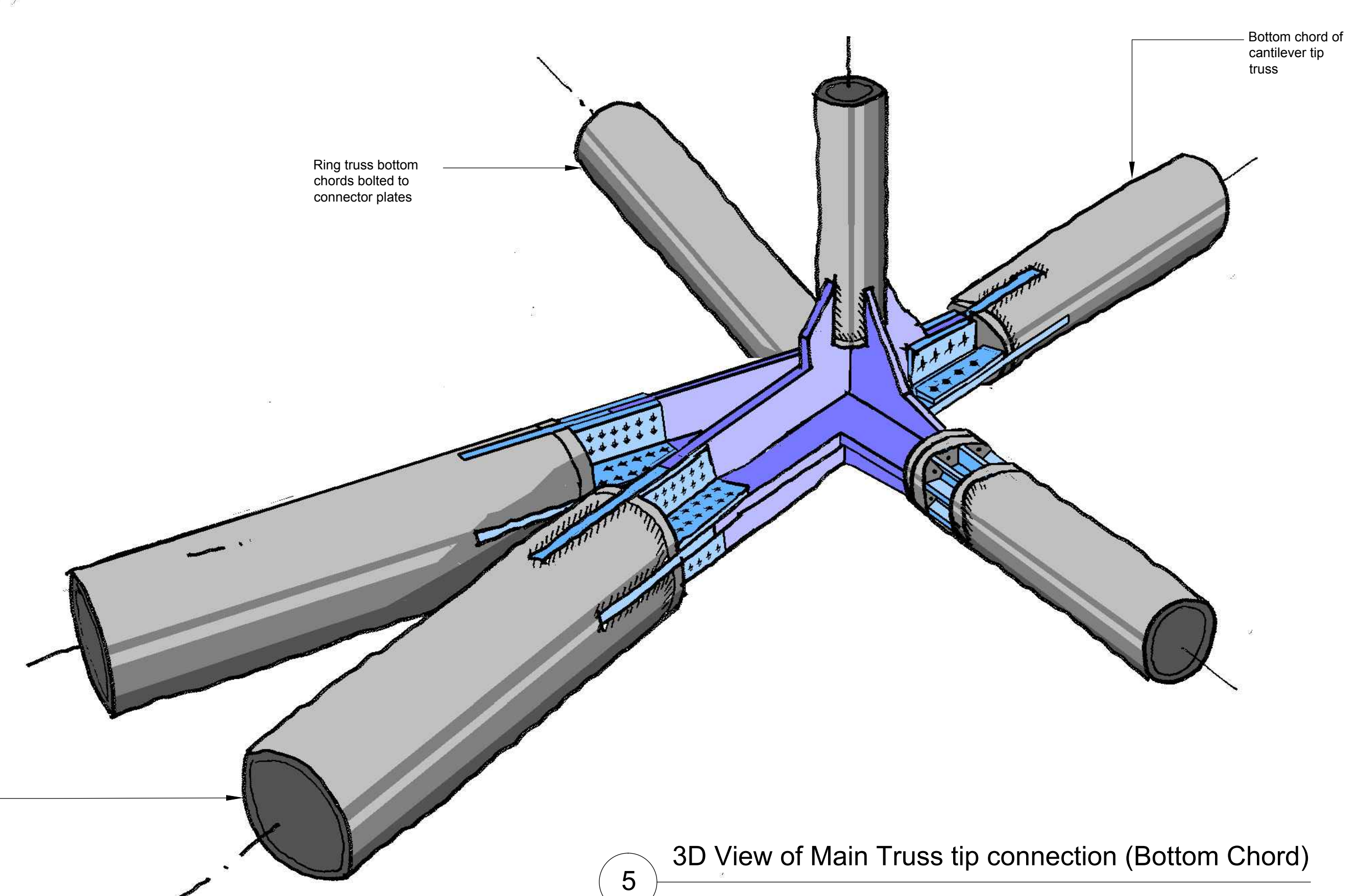
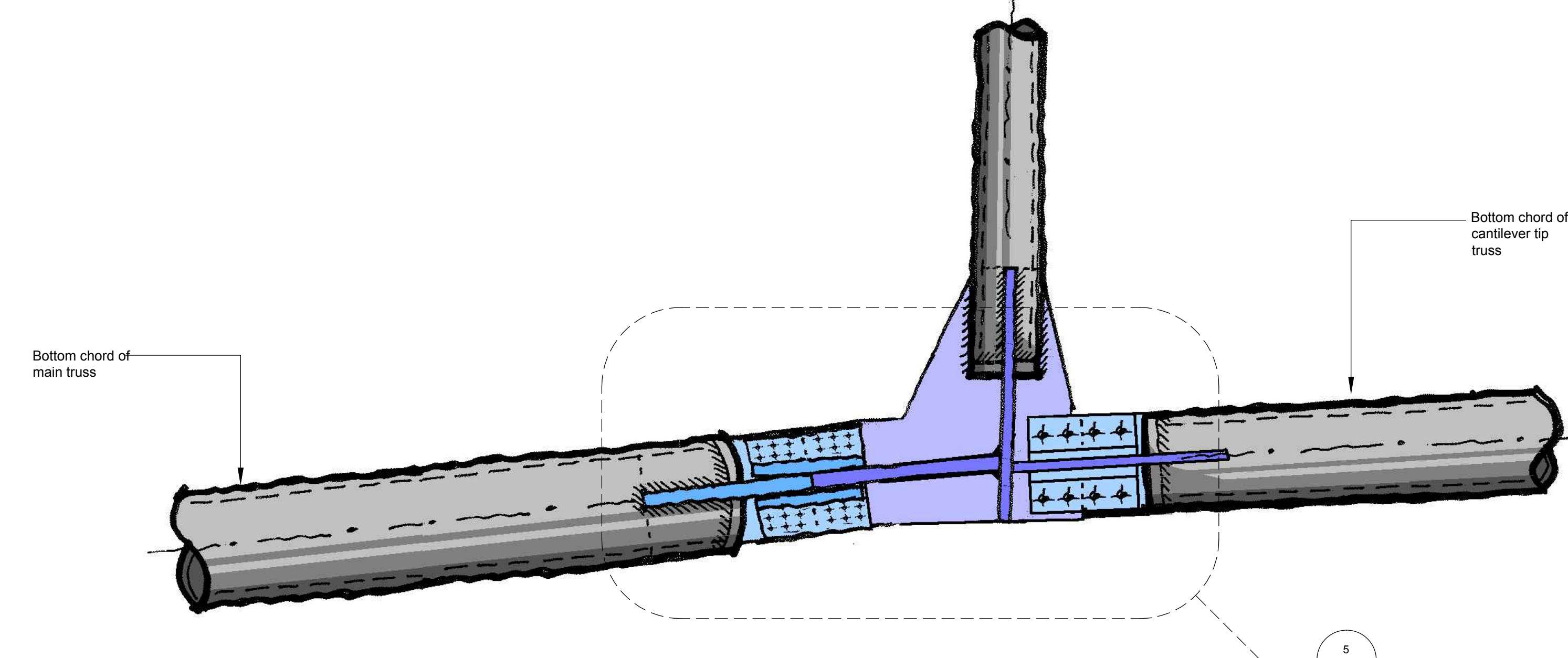
3 3D View of Main Truss tip connection (Top Chord)



2 Section of Main Truss tip connection



4 Exploded 3D View of Main Truss tip connection (Top Chord)



5 3D View of Main Truss tip connection (Bottom Chord)