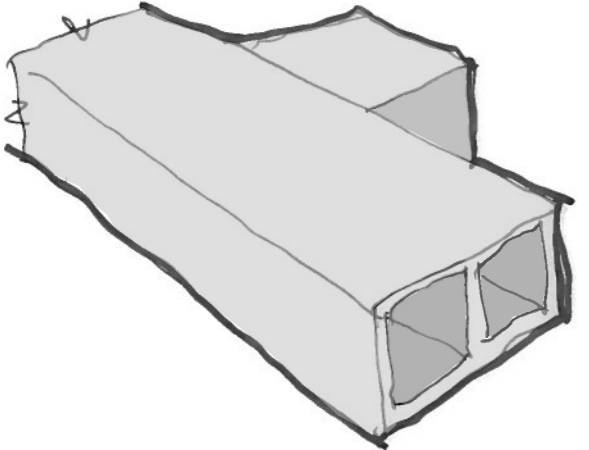
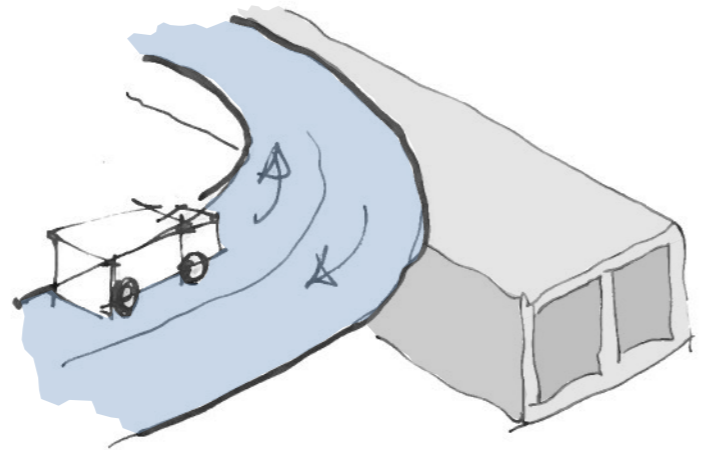


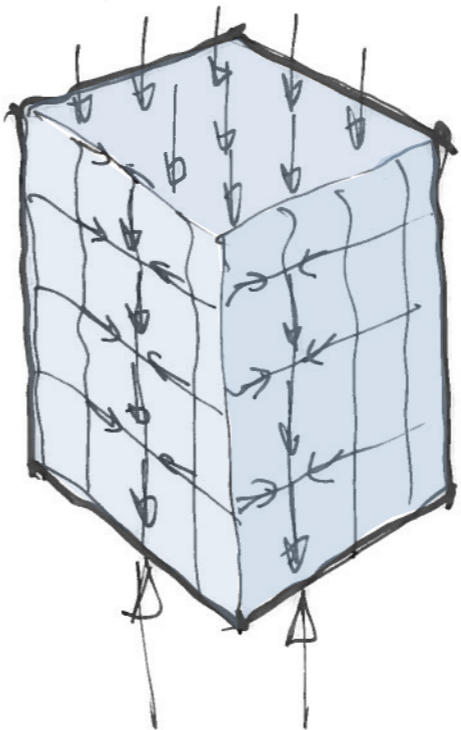
① PHYSICAL CONSTRAINTS



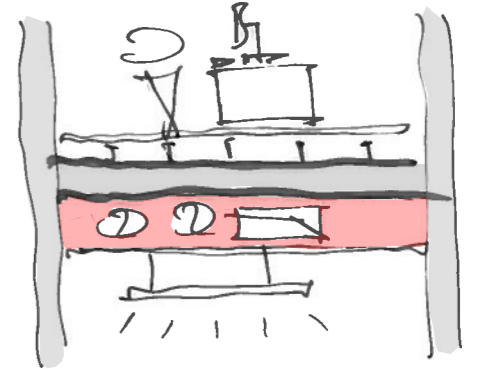
② VEHICLE ACCESS/EGRESS



③ LOAD PATTERNS

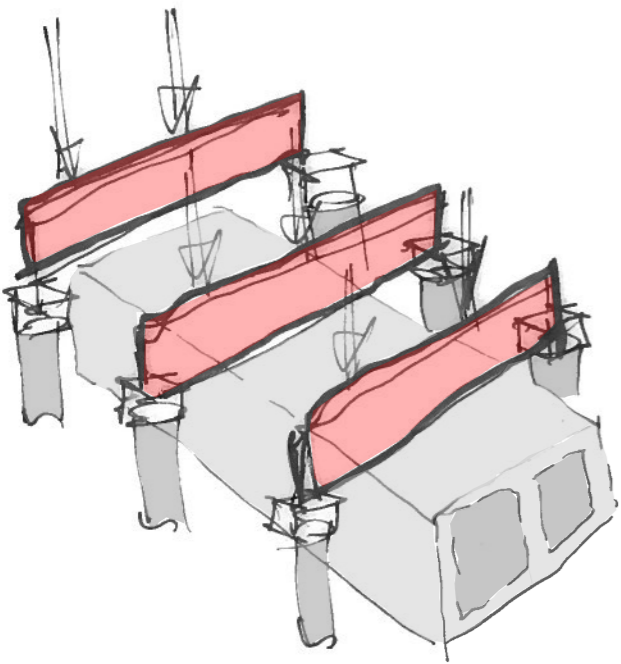


④ LOADING

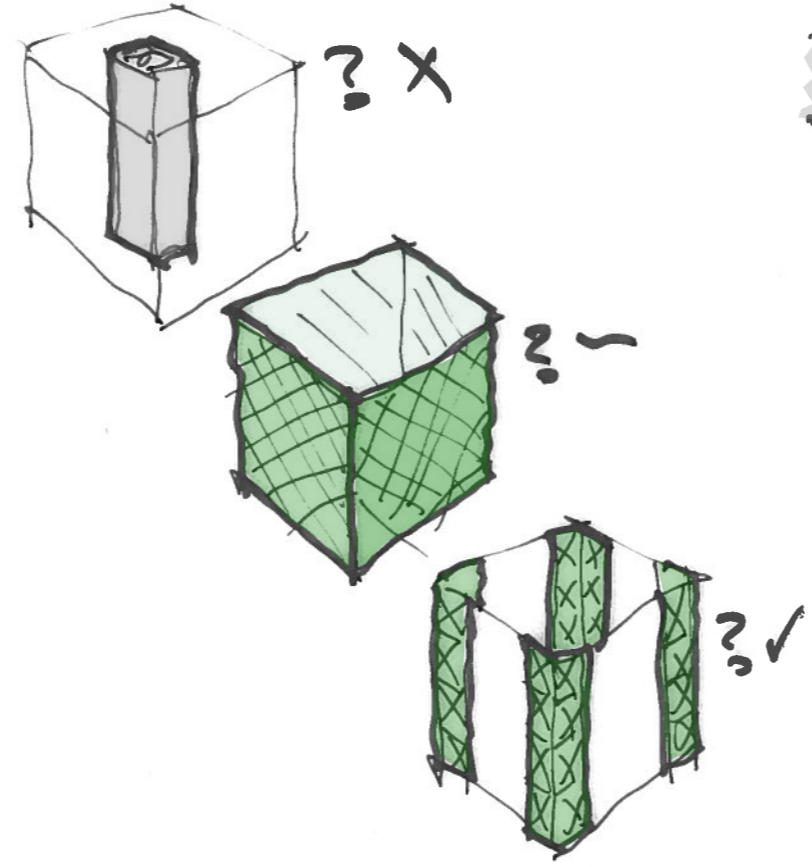


2.5 + 1.0 ??

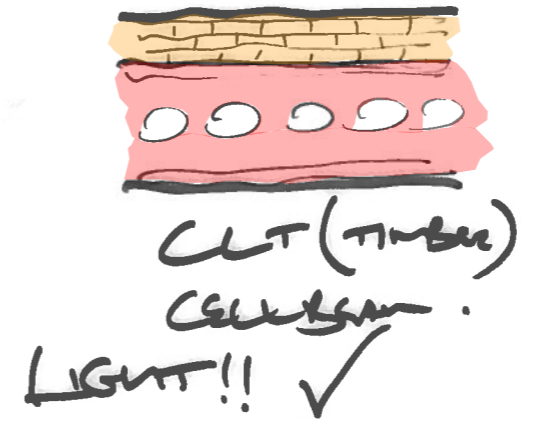
⑤ TRANSFER OVER TUNNEL



⑥ STABILITY



⑦ FRAME MATERIALS



ONE CENTENARY WAY  
STAGE 1 STUDIES  
ARUP Nov 2016.



<https://youtu.be/MIRq1o-AUkw>

RN